

**Alfatronix DC-DC PowerVerter and DD Series Products
- Engineering Change Information**

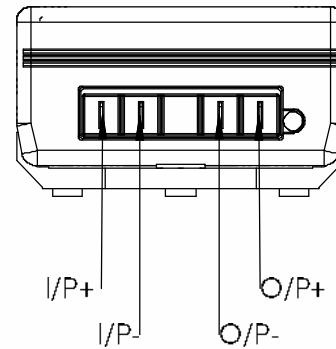
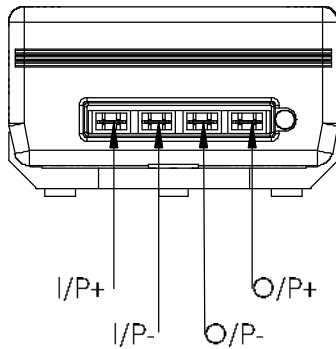
Please be advised that shortly two improvements will be made to the PowerVerter and DD series products.

1. The connector will change to allow for the use of shrouded crimps making installation simpler and safer.
2. The LED's will change from RED to GREEN as green is more conventional in indicating correct operation.

Old Connector

New Connector

1



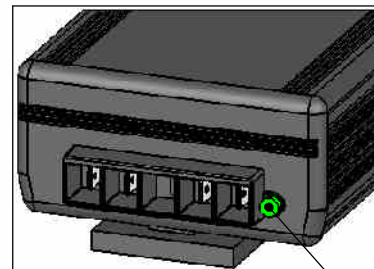
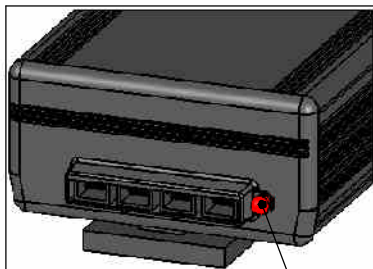
The new connector type has greater space available around the blade terminals. This allows for the use of shrouded insulated crimps.

PLEASE NOTE: You will be able to use BOTH crimp types on the new version units although they will be supplied with shrouded crimps only.

Old Version

New Version

2



In the early days most LED's were red, so we used a red LED to indicate correct operation of the products.

However, with the greater range available now, as well as a sense that GREEN is a more reassuring colour to indicate correct operation, we have decided to change all correct operation LED indicators to GREEN.

These changes will be phased in between August and October 2010 and will affect all DC-DC products. All products except for a few specialist low volume products will have changed by November 2010.

We believe these design improvements will offer simpler operation and improved usability. However, if you have reason to believe that you may encounter any incompatibility problems, please contact me as soon as possible on +44 (0)1202 715517 or kreilly@alfatronix.co.uk.

Keith Reilly, Managing Director. Alfatronix Ltd



Unit 29, Newtown Business Park
Poole, Dorset, BH12 3LL
TEL: +44 (0)1202 715517
FAX: +44 (0)1202 715122
email: sales@alfatronix.co.uk

DESCRIPTION

Alfatronix DC-DC PowerVerter and DD Series products - Engineering Change Information

SCALE

1:2