

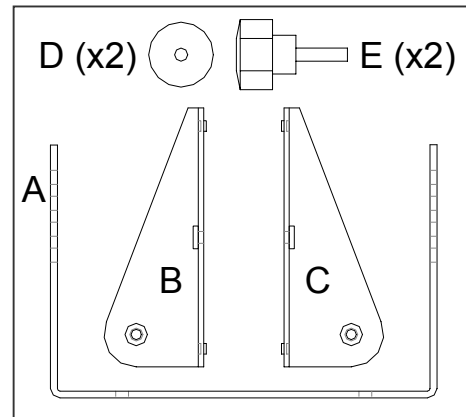
6020.00 Nav6 Mounting Bracket Kit

1. Packing List

The kit should contain the following:

- 1 'U' Mounting Bracket (A)
- 1 Left Mounting Bracket (B)
- 1 Right Mounting Bracket (C)
- 2 Rubber Washers (D)
- 2 Handwheel Knobs (E)
- 2 M4 x 20 Countersunk Posidriv screws (not illustrated)
- 4 No. 8 x 3/4 Panhead Posidriv Self-tapping screws (not illustrated)
- ASY02098.doc (this document)

If any items are missing, please contact your supplier.



2. Installation instructions

2.1 See Section 3 for examples on how the kit can be used for mounting the Nav6 Display Unit.

2.2 Remove the screw covers from the Nav6 Display unit.

2.3 Align the Mounting Brackets (B) and (C) over the back of the display unit, as shown in Fig. 1, ensuring the location studs on the bracket are correctly seated in the "dimples" on the back of the display unit.

2.4 Insert the two M4 x 20mm screws through the mounting holes in the front of the display unit and tighten. **DO NOT OVERTIGHTEN**

2.5 Replace the screw covers

2.6 Determine where the 'U' bracket (A) is to be mounted.

2.7 Using suitable tools, fit the 'U' bracket in the chosen position using the four No. 8 screws provided.

2.8 Insert one of the knobs (E) through one of the holes in the side of the 'U' bracket (A) as shown in Fig. 2. The choice of hole is dependent on where the bracket is to be mounted and the angle at which the display unit is set.

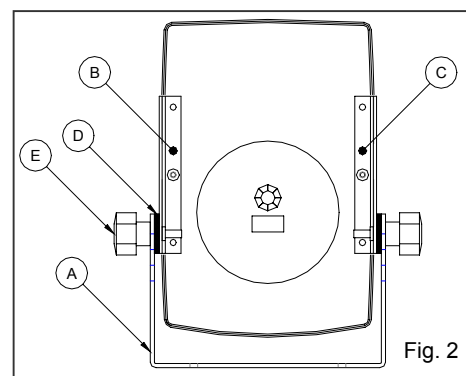
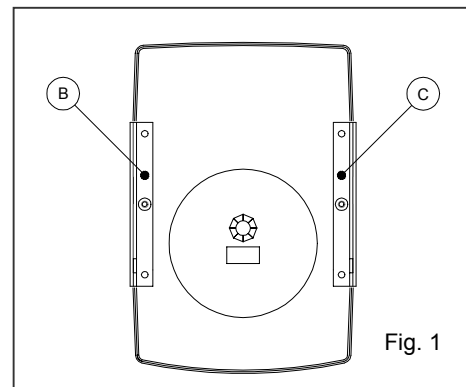
2.9 Slide one of the rubber washers over the knob thread.

2.10 Position the Nav6 Display Unit with the fitted brackets as shown and screw in the knob. Do not tighten yet.

2.11 Repeat steps 2.8 to 2.10 for the other side ensuring the knob is inserted into the corresponding hole.

2.12 Adjust the Nav6 Display Unit to the angle required and tighten the knobs.

2.13 Installation is then complete.

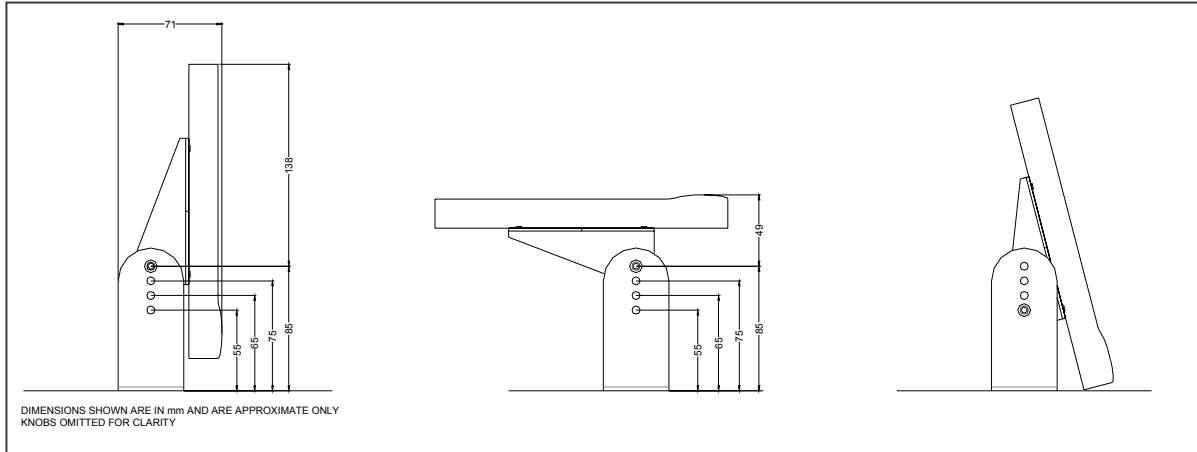


3. Mounting options

The Nav6 Display unit can be mounted in a variety of ways, some examples of which are shown.

3.1 Table-top Mounting

The diagram below shows examples of how the Nav6 Display Unit can be table-top mounted. The four holes in the sides of the 'U' bracket (A) provide flexibility for adjusting the angle of the display unit according to the user's requirements.



3.2 Overhead mounting

The diagram below shows examples of how the Nav6 Display Unit can be overhead mounted. Note that the brackets (B) and (C) are assembled the opposite way round to the examples above.

